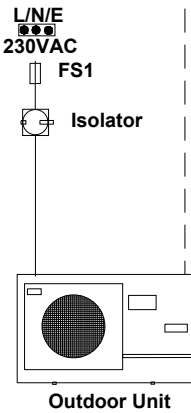
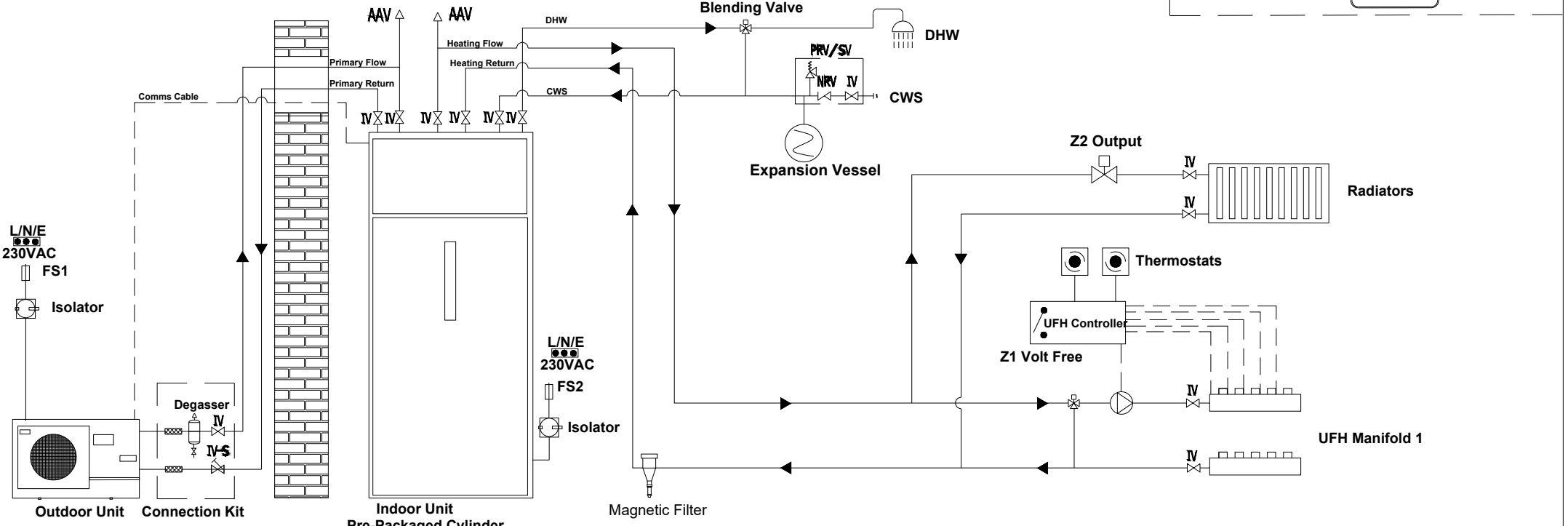
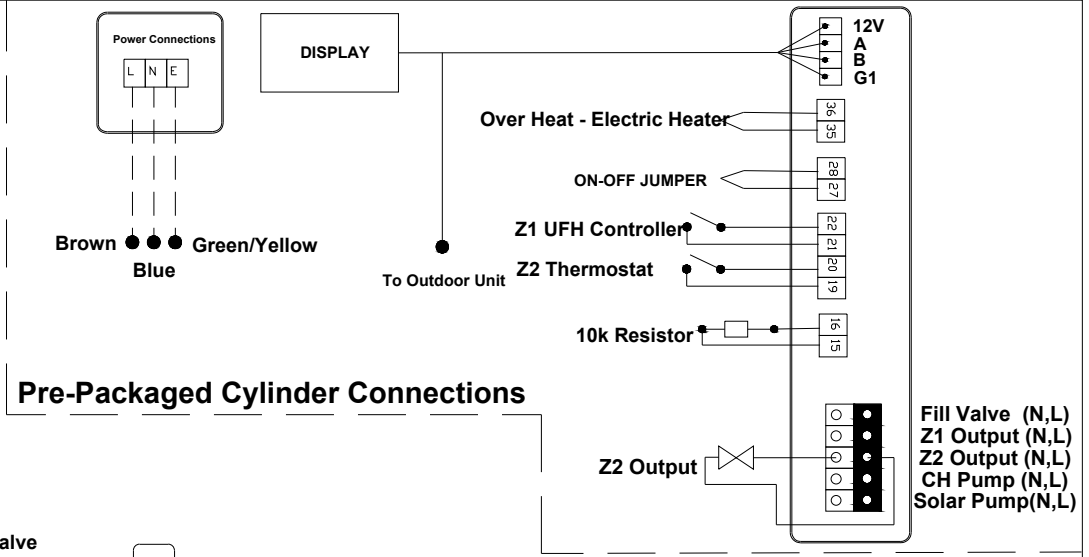


POWER SUPPLY SPECIFICATIONS

Outdoor Unit	Voltage Range	RCBO Size	Cable Size
Quantix 6 R290 S	230VAC	FS1 - 16A	2.5 sqmm
Quantix 9 R290 S	230VAC	FS1 - 25A	4.0 sqmm
Quantix 12 R290 S	230VAC	FS1 - 25A	4.0 sqmm
Quantix 15 R290 S	230VAC	FS1 - 32A	6.0 sqmm
Quantix 22 R290 S	400VAC	FS1 - 25A	4.0 sqmm
Indoor Unit			
Pre-Packaged Cylinder	230VAC	FS2 - 16A	2.5 sqmm

Maintain ATEX Safety Zone as per Installation Instructions
*****Do NOT Locate Isolator in ATEX Safety Zone*****



TYPICAL SYSTEM FLOW RATES

Indoor unit	Nominal flow rate (L/h)
Quantix 6 R290 S	1000
Quantix 9 R290 S	1500
Quantix 12 R290 S	2000
Quantix 15 R290 S	2500
Quantix 22 R290 S	3650

ELECTRICAL CONNECTIONS - OUTDOOR TO INDOOR

Communications Cable	0.75mm, 5 Core Screened Cable
----------------------	-------------------------------

RVR Energy Technology
 Kenmare, Co. Kerry
 V93 F386
 info@rvr.ie
 064 6641344
 www.rvr.ie

**Quantix Heat Pump
 With PP Cylinder
 1 Mixed -1 Direct Zone**

QIG 2 version : 1.0 DATE: 12/02/26 DRAWN: RVR CHECKED: 12/02/26