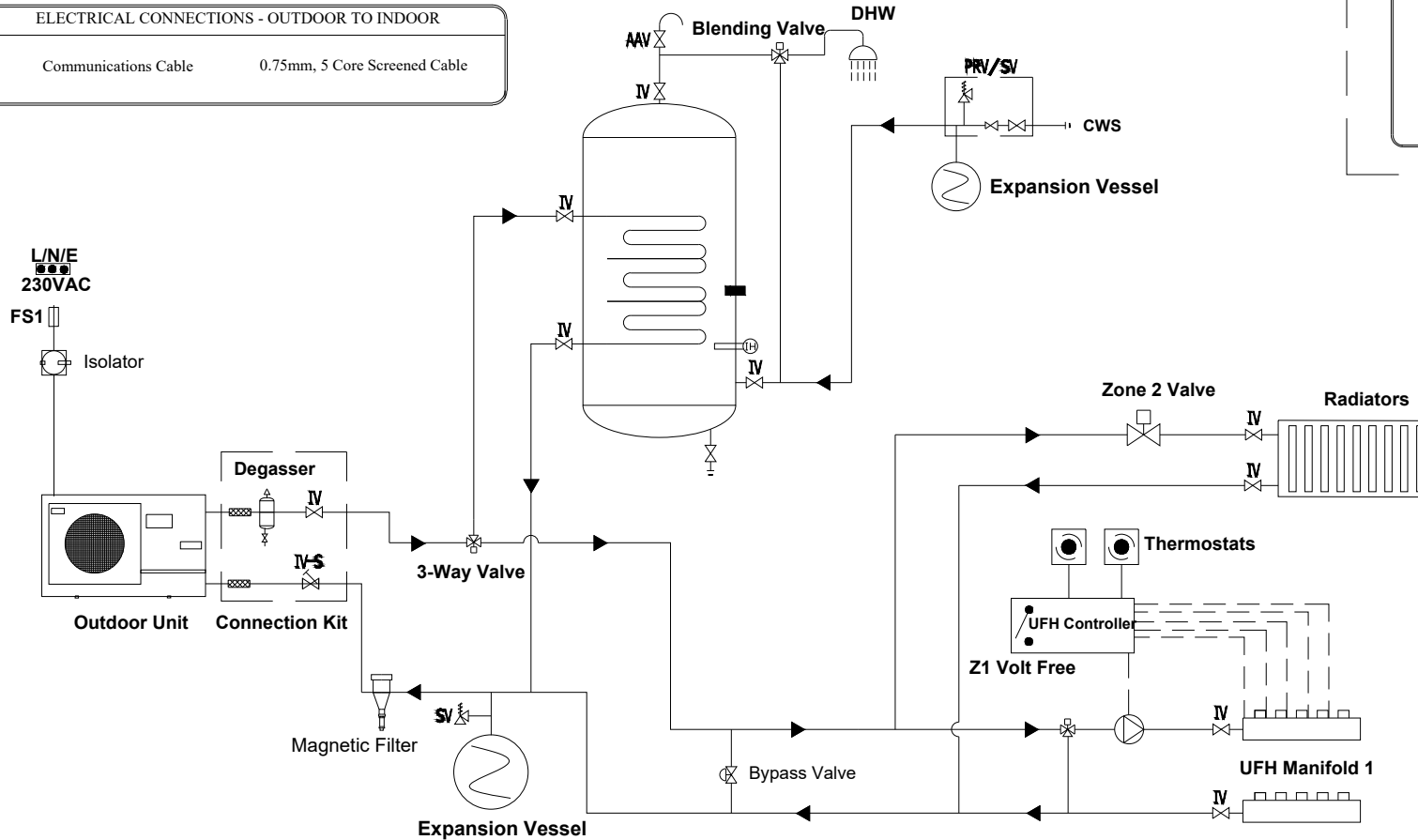
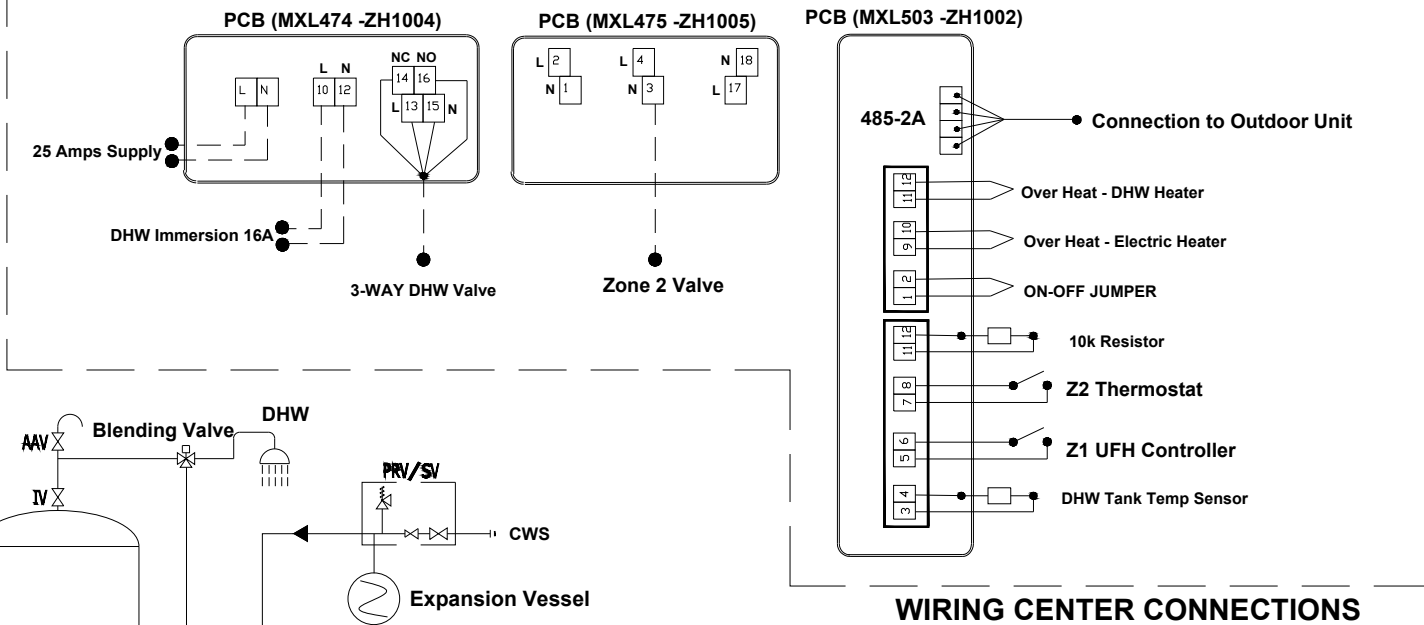


POWER SUPPLY SPECIFICATIONS			
Outdoor Unit	Voltage Range	RCBO Size	Cable Size
Quantix 6 R290 S	230VAC	FS1 - 16A	2.5 sqmm
Quantix 9 R290 S	230VAC	FS1 - 25A	4.0 sqmm
Quantix 12 R290 S	230VAC	FS1 - 25A	4.0 sqmm
Quantix 15 R290 S	230VAC	FS1 - 32A	6.0 sqmm
Quantix 22 R290 S	400VAC	FS1 - 25A	4.0 sqmm
Wiring Center	230VAC	FS1 - 25A	4.0 sqmm

ELECTRICAL CONNECTIONS - OUTDOOR TO INDOOR	
Communications Cable	0.75mm, 5 Core Screened Cable



**WIRING CENTER CONNECTIONS**

TYPICAL SYSTEM FLOW RATES	
Indoor unit	Nominal flow rate (L/h)
Quantix 6 R290 S	1000
Quantix 9 R290 S	1500
Quantix 12 R290 S	2000
Quantix 15 R290 S	2500
Quantix 22 R290 S	3650

Maintain ATEX Safety Zone as per Installation Instructions  
 \*\*\*Do NOT Locate Isolator in ATEX Safety Zone\*\*\*  
 \*\*\*DHW Immersion Overheat is Mandatory\*\*\*

RVR Energy Technology  
 Kenmare, Co. Kerry  
 V93 F386  
 info@rvr.ie  
 064 6641344  
 www.rvr.ie

**Quantix Heat Pump  
 With Wiring Center  
 1 Mixed-1 Direct Zone**

QIG 5 version : 1.0	DATE: 12/02/26	DRAWN: RVR	CHECKED: 12/02/26
---------------------	----------------	------------	-------------------