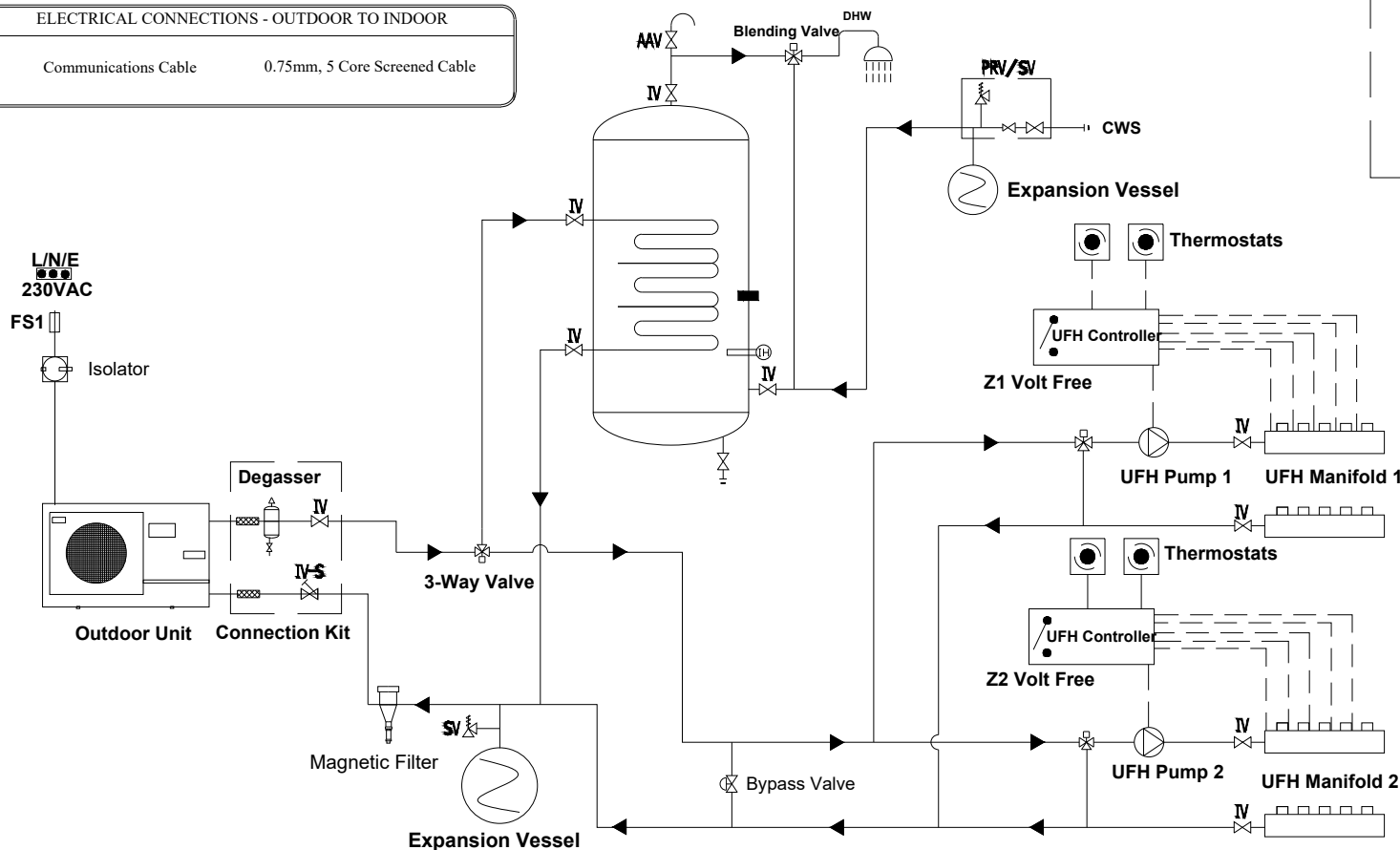
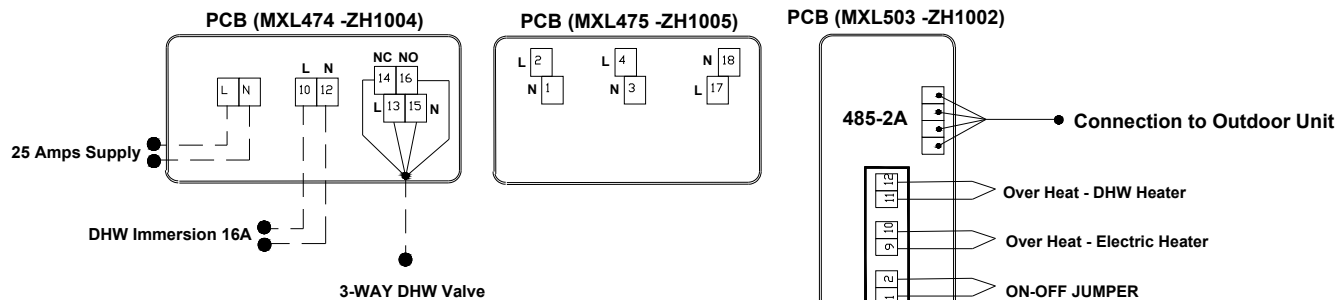


POWER SUPPLY SPECIFICATIONS			
Outdoor Unit	Voltage Range	RCBO Size	Cable Size
Quantix 6 R290 S	230VAC	FS1 - 16A	2.5 sqmm
Quantix 9 R290 S	230VAC	FS1 - 25A	4.0 sqmm
Quantix 12 R290 S	230VAC	FS1 - 25A	4.0 sqmm
Quantix 15 R290 S	230VAC	FS1 - 32A	6.0 sqmm
Quantix 22 R290 S	400VAC	FS1 - 25A	4.0 sqmm
Wiring Center	230VAC	FS1 - 25A	4.0 sqmm

ELECTRICAL CONNECTIONS - OUTDOOR TO INDOOR	
Communications Cable	0.75mm, 5 Core Screened Cable



WIRING CENTER CONNECTIONS

TYPICAL SYSTEM FLOW RATES	
Indoor unit	Nominal flow rate (L/h)
Quantix 6 R290 S	1000
Quantix 9 R290 S	1500
Quantix 12 R290 S	2000
Quantix 15 R290 S	2500
Quantix 22 R290 S	3650

Maintain ATEX Safety Zone as per Installation Instructions
 Do NOT Locate Isolator in ATEX Safety Zone
 DHW Immersion Overheat is Mandatory

RVR Energy Technology
 Kenmare, Co. Kerry
 V93 F386
 info@rvr.ie
 064 6641344
 www.rvr.ie

Quantix Heat Pump With Wiring Center 2 Mixed Zones

QIG 6 version : 1.0	DATE: 12/02/26	DRAWN: RVR	CHECKED: 12/02/26
---------------------	----------------	------------	-------------------